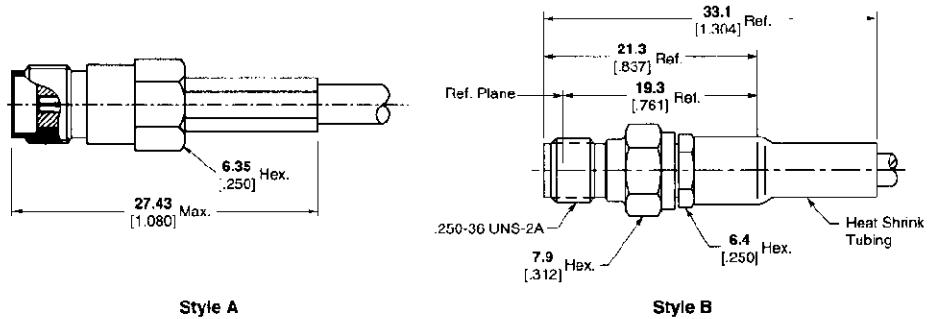
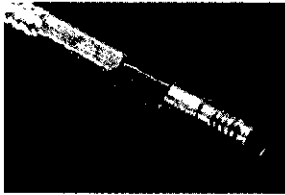


SMA Connectors (Continued)
Flexible Cable

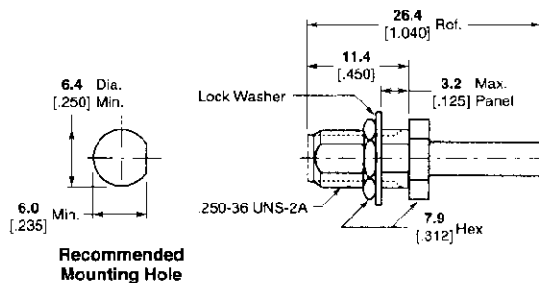
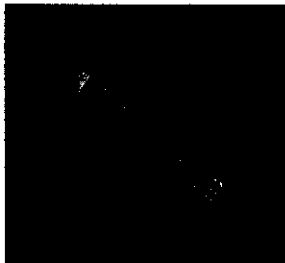
Straight Cable Jack, Crimp



Cable Type RG/U	Body Material & Finish	Contact Captivation	Contact Attachment	Crimp Tooling Part No.	Instruction Sheet	Style	M/A-COM Model No.	Part No.
58	Brass, Nickel	Mechanical	Solder	'	408-4032	A	—	447648-1
142	Brass, Nickel	Mechanical	Solder	'	408-4032	A	—	447648-2
174, 316	Brass, Nickel	Mechanical	Solder	'	408-4032	A	—	447648-3
55, 142, 223, 400	Stainless, Pass.	Mechanical	Solder	1055236-1	408-4703	B	2032-5007-02	1051862-1
58, 141, 303	Stainless, Pass.	Mechanical	Solder	1055236-1	408-4704	B	2032-5021-02	1051867-1
174, 188, 316	Stainless, Pass.	Mechanical	Solder	1055236-1	408-4708	B	2032-5003-02	1051855-1
178, 196	Stainless, Pass.	Mechanical	Solder	1055236-1	408-4806	B	2032-5026-02	1051869-1

¹Refer to Tyco Customer Print for tooling requirement. Daniel's/Mil Tooling used for contact and ferrule crimp.

**Bulkhead Feedthrough
Cable Jack, Crimp**



Cable Type RG/U	Body Material & Finish	Contact Captivation	Contact Attachment	Crimp Tooling Part No.	Instruction Sheet	M/A-COM Model No.	Part No.
174, 179, 187, 188, 316	Stainless, Pass.	Mechanical	Solder/Crimp ²	1055236-1	408-4661	2834-7388-02	1056452-1
RD316	Stainless, Pass.	Mechanical	Solder/Crimp ²	1055236-1 ³	408-4661	2834-7316-02	1056445-1
58, 141, 303	Stainless, Pass.	Mechanical	Solder/Crimp ²	1055236-1	408-4661	2834-7358-02	1056450-1
55, 142, 223, 400	Stainless, Pass.	Mechanical	Solder/Crimp ²	1055236-1	408-4661	2834-7341-02	1056447-1
142	Brass, Nickel	Mechanical	Crimp	'	408-4032	—	448103-1
174, 188, 316	Brass, Nickel	Mechanical	Crimp	'	408-4032	—	448103-2

¹Refer to Tyco Customer Print for tooling requirement. Daniel's/Mil Tooling used for contact and ferrule crimp.

²Use die 1055880-1 to crimp center contact.

³Use die 1055270-1 to crimp RD316 ferrule.